

16 AWG Quick-Connex™ Receptacles (9, 10 & 12 Pole)

- UL Recognized
- cUL
- IP69K Rated
- RoHS Compliant
- 600 V

16 AWG Quick-Connex™ 9, 10 & 12 pole receptacles are available in female with 4 foot pigtails and male with 1 foot pigtails. O-ring and locknut included; closure caps with chain are sold separately.



FEATURES & BENEFITS

1. RECEPTACLE INSERTS ARE SPECIALLY COMPOUNDED, THERMOPLASTIC ELASTOMER — Provides long flex life, resists heat and oil deterioration.

2. MOLDED AND KEYED ASSEMBLY — Provides rapid and secure connect and disconnect. Ensures a water, oil, and dust tight seal.

3. HARD COATED MIL SPEC. ANODIZED ALUMINUM RECEPTACLE SHELL — Resists corrosion, provides quick and secure assembly.

4. SOLID BRASS CONTACT PINS ARE NICKEL COATED AND GOLD PLATED, MACHINE CRIMPED TO CONDUCTORS — Provides long life, resists corrosion, easy positive engagement. Excellent for high/low voltage and low level signal applications.

5. UNIQUE STAINLESS SLEEVE OVER THE GOLD PLATED FEMALE PINS — Prevents pin deformation resulting in loss of signal and electrical continuity. Superior performance in high vibration and continuous motion environments. Probe proof.

6. EXTRA LONG GROUNDING PIN — Ensures first-in, last-out contact for safety.

7. FLUOROELASTOMER SEALING O-RING AND LOCKNUT — Seals out oil, chemicals and other contaminants. Locknut included with each unit.

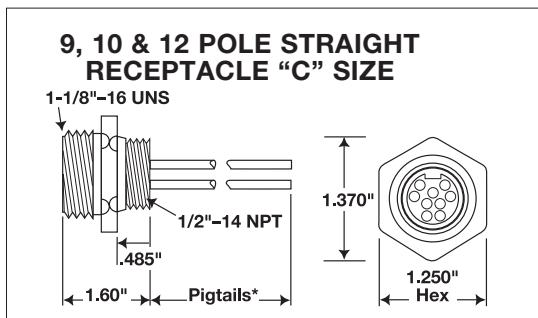
8. 16 AWG STRANDED, TINNED COPPER PIGTAILS INSULATED WITH 125°C CROSS-LINKED POLYETHYLENE — Provides excellent oil and heat resistance.

ORDERING INFORMATION (MINIMUM PURCHASE MAY BE REQUIRED IF PRODUCT NOT STOCKED)

FEMALE RECEPTACLES (48" PIGTAILS)				
PART NO.			FEET	METERS
9 POLE	10 POLE	12 POLE		
RN19CPTF004	RN110CPTF004	RN112CPTF004	4	1.22

MALE RECEPTACLES (12" PIGTAILS)				
PART NO.			FEET	METERS
9 POLE	10 POLE	12 POLE		
RN19APTf001	RN110APTf001	RN112APTf001	1	0.3

DIMENSIONAL INFORMATION



FACE VIEW OF FEMALE RECEPTACLE

