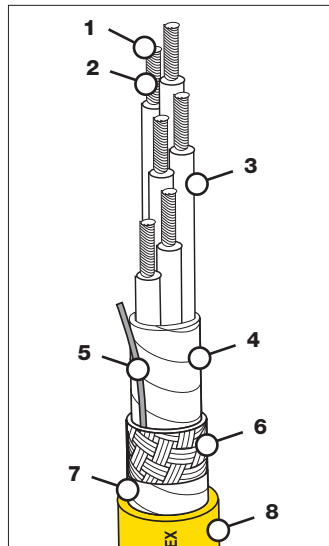


# Trex-Onics® Overall Shielded Continuous Flex Multi-Conductor Cable

- UL Recognized in the U.S. and Canada
- CSA
- 600 V
- RoHS Compliant
- MSHA Approved (24 AWG — 16 AWG)
- Operating Temperature Range -40°C to 105°C
- MIL-STD-810G Antimicrobial
- FT-1 Flame Rating
- VW-1 Flame Rating

Designed for industrial applications, Trex-Onics® Overall Shielded Continuous Flex Multi-Conductor Cable is constructed with TPE insulation, TPE overwrap, heavy-duty tinned copper braid and a polyurethane jacket. It shows superior resistance from abrasion, tearing, oil, ozone, UV and most chemicals.



## FEATURES & BENEFITS

- 1. BUNCH STRANDED SOFT DRAWN COPPER** — Longer flex life in flexing and twisting applications.
- 2. FINELY STRANDED TINNED COPPER CONDUCTORS** — Improves flexibility and extends flex life.
- 3. TPE INSULATION** — Offers superior resistance to oil, solvents and chemicals. Provides high dielectric capability, mechanical strength and cut resistance.
- 4. TPE OVER-WRAP** — Acts as a flex-facilitator, allowing the conductors to slide smoothly under the braid shield in dynamic applications. Protects the conductors from abrasion, improving flex life.
- 5. FLAT TINNED DRAIN WIRE**
- 6. ULTRA-SHIELD CONSTRUCTION, A HEAVY-DUTY TINNED COPPER BRAID** — Shielding provides a minimum of 85% protection from EM and RF interference in addition to superior mechanical strength in industrial applications.
- 7. WOVEN NYLON TAPE** — Improves flexibility, allows the conductor bundle to move easily within the jacket for longer flex life.
- 8. SECURITY YELLOW HEAVY-DUTY POLYURETHANE TPE JACKET** — Provides superior first-line defense against industrial and environmental abuse. Resists tearing, abrasion, oil, ozone and most chemicals. UV resistant.

## ORDERING INFORMATION (MINIMUM PURCHASE MAY BE REQUIRED IF PRODUCT NOT STOCKED)

PART NO.	CABLE AWG/COND	STRANDING NO./AWG	AMPACITY <sup>1</sup>	DRAIN WIRE	NOMINAL O.D. (IN)	INSULATION THICK (IN)	WT. (LBS) PER 1000'
61609	24/9	19/36	4.9	24 AWG	0.300	0.010	51
61606	24/6	19/36	5.6	24 AWG	0.255	0.010	41
61604	24/4	19/36	5.6	24 AWG	0.225	0.010	32
61602	24/2	19/36	7.0	24 AWG	0.210	0.010	28
61526	20/26	26/34	4.9	22 AWG	0.500	0.010	196
61524	20/24	26/34	4.9	22 AWG	0.495	0.010	192
61518	20/18	26/34	5.5	22 AWG	0.430	0.010	148
61512	20/12	26/34	5.5	22 AWG	0.375	0.010	110
61509	20/9	26/34	7.7	22 AWG	0.360	0.010	89
61506	20/6	26/34	8.8	22 AWG	0.290	0.010	68
61502	20/2	26/34	11.0	22 AWG	0.235	0.010	40
61465	18/65	41/34	4.9	20 AWG	0.980	0.010	628
61449	18/49	41/34	4.9	20 AWG	0.875	0.010	496
61433	18/33	41/34	5.6	20 AWG	0.615	0.010	322
61424	18/24	41/34	6.3	20 AWG	0.560	0.010	265
61418	18/18	41/34	7.0	20 AWG	0.485	0.010	210
61412	18/12	41/34	7.0	20 AWG	0.415	0.010	145
61409	18/9	41/34	9.8	20 AWG	0.400	0.010	110
61406	18/6	41/34	11.2	20 AWG	0.320	0.010	88
61404	18/4	41/34	11.2	20 AWG	0.280	0.010	58
61403	18/3	41/34	14.0	20 AWG	0.265	0.010	54
61402	18/2	41/34	14.0	20 AWG	0.250	0.010	50
61731	16/31	65/34	7.2	20 AWG	0.655	0.010	412
61725	16/25	65/34	8.0	20 AWG	0.640	0.010	360
61719	16/19	65/34	9.0	20 AWG	0.575	0.010	286
61712	16/12	65/34	9.0	20 AWG	0.465	0.010	185
61709	16/9	65/34	12.6	20 AWG	0.435	0.010	158
61705	16/5	65/34	14.4	20 AWG	0.360	0.010	110
61703	16/3	65/34	18.0	20 AWG	0.290	0.010	85
61340	14/10	105/34	12.5	20 AWG	0.515	0.010	260

NOTE: (1) Ampacities are based on 30°C ambient and 90°C conductor temperature. These values are to be used as a guideline and may vary according to the actual cable application.

Portable Cords  
Power Cables (600 Volt to 33 KV)  
Welding Cables  
VFD/Servo Motor Cables  
Reeling Cables  
Control Cables/Instrumentation  
Bus Cables  
Flat E-stop Cables  
Retractable Coil Cables  
Chemical & Temp. Resistant Cables  
High Temperature Cables  
Igniter Cables  
Thermocouple Extension Wires  
Engineered Custom Cables

# Trex-Onics® Overall Shielded Continuous Flex Multi-Conductor Cable (Continued)

## APPLICATIONS

- Cable Carriers
- Computer Interface
- Digital Remote Control
- Heat, Pressure & Flow Meters
- Instrumentation
- Load Cell Monitors
- Programmable Controllers
- Proximity Switches
- Programmable Limit Switches
- Robotic Applications
- Servo Motors
- Tachometers
- Telecommunications
- Torque-Tool Monitoring Equipment
- Variable Speed Motors

COLOR CODE			
NO.	COLOR	NO.	COLOR
1	Black	34.	Black/White/Orange
2	White	35.	White/Red/Orange
3	Red	36.	Orange/White/Blue
4	Green	37.	White/Red/Blue
5.	Orange	38.	Black/White/Green
6.	Blue	39.	White/Black/Green
7.	White/Black	40.	Red/White/Green
8.	Red/Black	41.	Green/White/Blue
9.	Green/Black	42.	Orange/Red/Green
10.	Orange/Black	43.	Blue/Red/Green
11.	Blue/Black	44.	Black/White/Blue
12.	Black/White	45.	White/Black/Blue
13.	Red/White	46.	Red/White/Blue
14.	Green/White	47.	Green/Orange/Red
15.	Blue/White	48.	Orange/Red/Blue
16.	Black/Red	49.	Blue/Red/Orange
17.	White/Red	50.	Black/Orange/Red
18.	Orange/Red	51.	White/Black/Orange
19.	Blue/Red	52.	Red/Orange/Black
20.	Red/Green	53.	Green/Red/Blue
21.	Orange/Green	54.	Orange/Black/Blue
22.	Black/White/Red	55.	Blue/Black/Orange
23.	White/Black/Red	56.	Black/Orange/Green
24.	Red/Black/White	57.	White/Orange/Green
25.	Green/Black/White	58.	Red/Orange/Green
26.	Orange/Black/White	59.	Green/Black/Blue
27.	Blue/Black/White	60.	Orange/Green/Blue
28.	Black/Red/Green	61.	Blue/Green/Orange
29.	White/Red/Green	62.	Black/Red/Blue
30.	Red/Black/Green	63.	White/Orange/Blue
31.	Green/Black/Orange	64.	Red/Black/Blue
32.	Orange/Black/Green	65.	Green/Orange/Blue
33.	Blue/White/Orange		

## ELECTRICAL SPECIFICATIONS

AWG	NOMINAL IMPEDANCE (OHMS / 1,000 FT)	NOMINAL CAPACITANCE pF/FT (COND-COND)	NOMINAL CAPACITANCE pF/FT (COND-SHIELD)
24	69	24	42.5
	69	24	42.5
	69	24	42.5
	69	24	42.5
20	53	31.5	56
	53	31.5	56
	53	31.5	56
	53	31.5	56
	53	31.5	56
18	47	35	62
	47	35	62
	47	35	62
	47	35	62
	47	35	62
	47	35	62
16	37.5	44	79.2
	37.5	44	79.2
	37.5	44	79.2
	37.5	44	79.2
	37.5	44	79.2
	37.5	44	79.2
14	35	46	80

*These values are to be used as a guideline and may vary according to the actual cable application.*



## CHEMICAL RESISTANCE OF COMMON INSULATING MATERIALS

CHEMICAL	RUBBER	SILICONE	FLUOROPOLYMER
Oxidation Resistance	Fair	Excellent	Outstanding
Oil Resistance	Poor	Fair-Good	Outstanding
UV Resistance	Fair	Outstanding	Outstanding
Water Resistance	Good	Good-Excellent	Excellent
Acid Resistance	Fair-Good	Fair-Good	Excellent
Alkali Resistance	Fair-Good	Fair-Good	Excellent
Gasoline Kerosene	Poor	Poor-Fair	Excellent
Benzol Toluene	Poor	Poor	Excellent
Degreaser Solvent	Poor	Poor-Good	Excellent
Alcohol Resistance	Good	Good	Excellent

Portable Cords  
 Power Cables (600 Volt to 35 kV)  
 Welding Cables  
 VFD/Servo Motor Cables  
 Reeling Cables  
 Control Cables/Instrumentation  
 Bus Cables  
 Flat Festoon Cables  
 Retractable Coil Cables  
 Chemical & Temp. Resistant Cables  
 High Temperature Cables  
 Igniter Cables  
 Thermocouple Extension Wires  
 Engineered Custom Cables