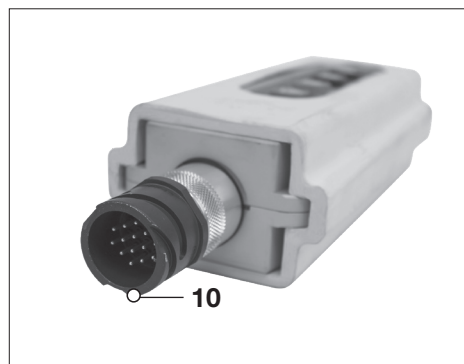


Aluminum Pendant Box Assembly

• UL / cUL Listed • UL Type 1, 3R, 4, 4X • Rated for 5A @ 240 VAC, B300 Pilot Duty • Max Operating Temperature 149°F (65°C) • Water-tight & Corrosion Resistant

A durable, impact resistant aluminum shell deters the ingress of dust, dirt, moisture, and chemicals. The enclosure is designed to prevent the buttons from being damaged due to impact and heavy load. Each assembly is delivered pre-wired to customer specifications, making it ready to install upon arrival. Boxes are available as four-button and eight-button assemblies. Two-button and six-button versions are also available with the use of blanks.



* Not UL Listed

ORDERING INFORMATION (MINIMUM PURCHASE MAY BE REQUIRED IF PRODUCT NOT STOCKED)

Contact a sales rep for part number to match customer application

FEATURES & BENEFITS

- Multi or Single weave mesh strain relief is used to counteract tension. Guide wire holes are incorporated into the design if preferred to the mesh style strain relief.
- Ergonomic grooves for easy gripping.
- Silicon rubber booted buttons seal out dirt and moisture; available in red, green and black.
- 100% customizable button configurations & label identification available:
 - Momentary or Maintained on/off
 - Dual-Pole Momentary
 - Momentary one, two and three speed
 - Emergency stop (E-Stop)*
 - Two & three position maintained selector switches*
 - Variable position resistance switch*
 - Pilot Light*
- Protective metal lip prevents damage to buttons.
- Low profile thin design for easy operator handling (only 2.5" deep).
- Durable split shell metal design is virtually indestructible with 0.25" wall thickness. Grounded on both halves.
- Internal sealing gasket.
- Protective slide-on rubber boots available in yellow as a standard color. Optional colors include Orange, Red, Green, Blue, White, and Black. Minimums may apply with optional color selection.
- Make your pendant a Quick-Disconnect system for fast and easy changeout.

APPLICATIONS

- Automated Assembly Equipment
- Automatic Doors
- Automation Controllers & Equipment
- Cranes
- Work Stations
- Monorail & Hoist Control