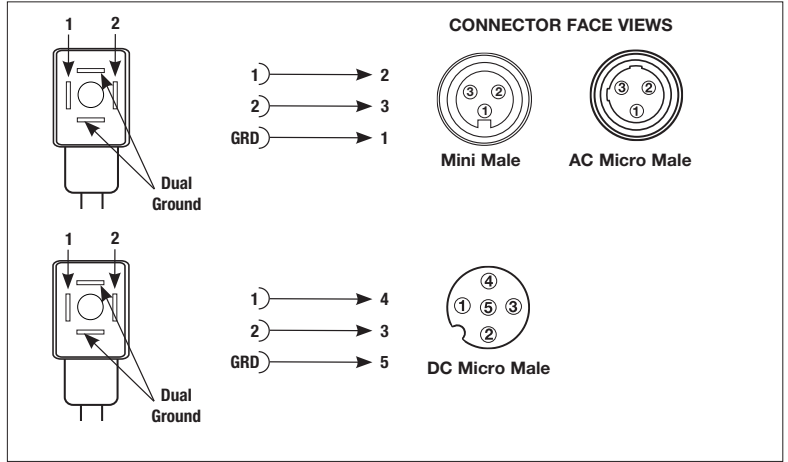
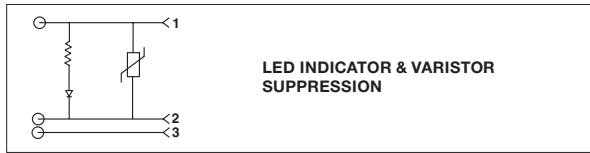
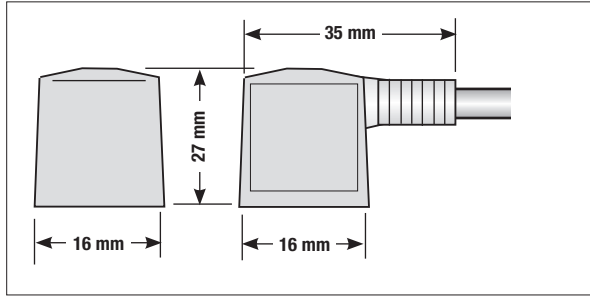


# DIN Connector Assemblies – Sub-Micro DIN – 9.4 mm

- RoHS Compliant
- IP67 Rated
- NEMA 6 Rated
- Operating Temperature Range -25°C to 80°C



| SUB- MICRO DIN STANDARD - 9.44 MM COLOR CODE |                |
|--|----------------|
| DC 24 V                                      | AC 115V        |
| 1 Black (1)                                  | 1 Black (1)    |
| 2 Black (2)                                  | 2 Black (2)    |
| 3 Green/Yellow                               | 3 Green/Yellow |

## SPECIFICATIONS & KEY CHARACTERISTICS

- Connection Voltage: 6 – 24V AC/DC or 120V AC@ 50/60 Hz
- Nominal Current: 6 Amps
- Connection Test Voltage: 250V AC Max, 300 V DC Max
- Connector Material: Durable Polyurethane
- Center Screw: M2.5 x 28mm
- Suppressor Clamping Voltage: 24V AC/DC – 30V AC Continuous – 38V DC
- 120V AC – 130V AC Continuous – 170V DC
- White Translucent Body with LED Power Status Indicator
- No Sealing Gasket Required

## FEATURES & BENEFITS

- 1. SECURITY YELLOW TREX-ONICS® 18 AWG 3 CONDUCTOR CABLE WITH HEAVY-DUTY POLYURETHANE JACKET** – A superior first line defense against tearing abrasion, impact, oil, ozone and most chemicals.
- 2. RUGGED POLYURETHANE SHELL DESIGN** – Resists damage from impact, abrasion, oil and most chemicals.
- 3. ZYTEL INSERT** – Durable fiberglass filled nylon insert.
- 4. MOLDED ASSEMBLY** – DIN Plug is secured to the cord to seal the unit, preventing dust and moisture from damaging the internal wiring.
- 5. VARISTOR SURGE SUPPRESSION** – Built into each Plug to protect against electrical spikes or surges.
- 6. SUPER BRIGHT LED STATUS LIGHT** – Incorporated into translucent DIN body, protecting LED from damage. Easily visible from multiple angles.
- 7. SELF SEALING UNIT** – Polyurethane shell seals without the need for a gasket, providing protection up to IP67.
- 8. IP67/NEMA 6** – Once properly installed the connection is protected from dust, moisture and oil.
- 9. ALL POLYURETHANE MICRO OR MINI-HEAD DESIGN** – Ensures 100% bonding between jacket and head.
- 10. DIN CONNECTORS IN INDUSTRY STANDARD CONFIGURATIONS** – Available with TPC Trex-Onics® Mini or Micro Quick-Connects™

## ORDERING INFORMATION (MINIMUM PURCHASE MAY BE REQUIRED IF PRODUCT NOT STOCKED)

| BLUNT CUT PART NO. | DESCRIPTION                                    | CORD LENGTH |        |
|--------------------|--|-------------|--------|
|                    |  | FEET        | METERS |
| D03134XXAM002      | 120V, LED, Suppression, Ground at Cable Outlet | 6.56        | 2      |
| D03134XXAM003      | 120V, LED, Suppression, Ground at Cable Outlet | 9.84        | 3      |
| D03134XXAM004      | 120V, LED, Suppression, Ground at Cable Outlet | 13.12       | 4      |
| D03134XXAM005      | 120V, LED, Suppression, Ground at Cable Outlet | 16.4        | 5      |
| D03134XXAM006      | 120V, LED, Suppression, Ground at Cable Outlet | 19.68       | 6      |
| D03234XXAM002      | 24V, LED, Suppression, Ground at Cable Outlet  | 6.56        | 2      |
| D03234XXAM003      | 24V, LED, Suppression, Ground at Cable Outlet  | 9.84        | 3      |
| D03234XXAM004      | 24V, LED, Suppression, Ground at Cable Outlet  | 13.12       | 4      |
| D03234XXAM005      | 24V, LED, Suppression, Ground at Cable Outlet  | 16.4        | 5      |
| D03234XXAM006      | 24V, LED, Suppression, Ground at Cable Outlet  | 19.68       | 6      |

Mini Quick-Connects™  
Micro Quick-Connects™  
Nano Quick-Connects™  
Specialty Quick-Connects™  
Ethernet Cable Assemblies  
7 Pin Molded Valve Plug  
DIN Connectors  
Extension Cords  
M23 Connector Assemblies  
Military Connectors  
Rectangular Connectors