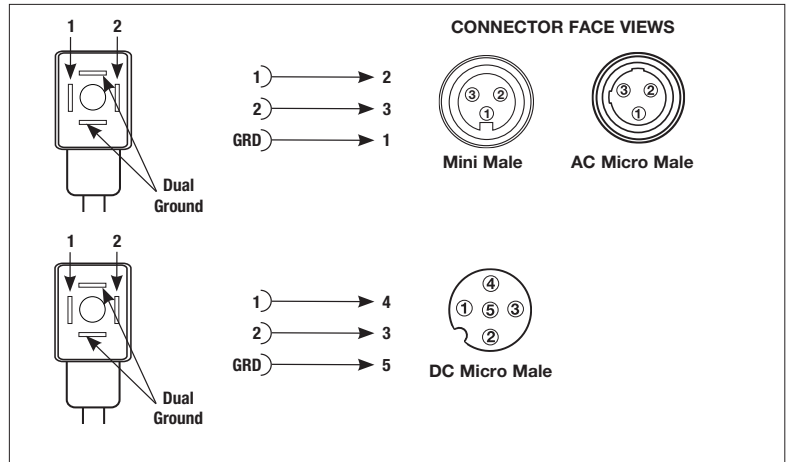
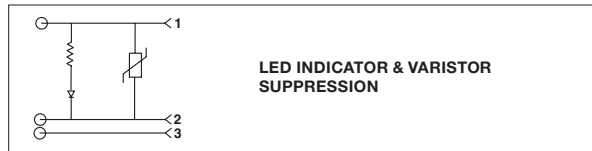
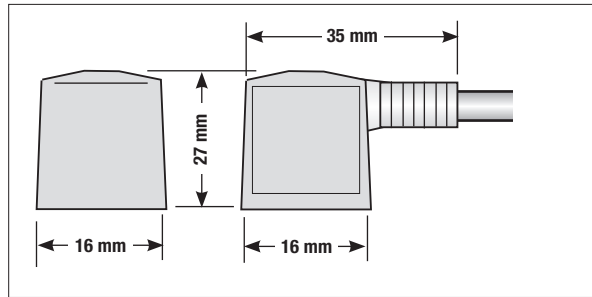


DIN Connector Assemblies – Sub-Micro DIN Form C – 8 mm

- RoHS Compliant
- IP67 Rated
- NEMA 6 Rated
- Operating Temperature Range -25°C to 80°C



| SUB- MICRO DIN FORM C - 8 MM COLOR CODE | |
|---|----------------|
| DC 24 V | AC 115V |
| 1 Black (1) | 1 Black (1) |
| 2 Black (2) | 2 Black (2) |
| 3 Green/Yellow | 3 Green/Yellow |

SPECIFICATIONS & KEY CHARACTERISTICS

- Connection Voltage: 6 – 24V AC/DC or 120V AC@ 50/60 Hz
- Nominal Current: 6 Amps
- Connection Test Voltage: 250V AC Max, 300 V DC Max
- Connector Material: Durable Polyurethane
- Center Screw: M2.5 x 28mm
- Suppressor Clamping Voltage: 24V AC/DC – 30V AC Continuous – 38V DC
- 120V AC – 130V AC Continuous – 170V DC
- White Translucent Body with LED Power Status Indicator
- No Sealing Gasket Required

FEATURES & BENEFITS

- 1. SECURITY YELLOW TREX-ONICS® 18 AWG 3 CONDUCTOR CABLE WITH HEAVY-DUTY POLYURETHANE JACKET** – A superior first line defense against tearing abrasion, impact, oil, ozone and most chemicals.
- 2. RUGGED POLYURETHANE SHELL DESIGN** – Resists damage from impact, abrasion, oil and most chemicals.
- 3. ZYTEL INSERT** – Durable fiberglass filled nylon insert.
- 4. MOLDED ASSEMBLY** – DIN Plug is secured to the cord to seal the unit, preventing dust and moisture from damaging the internal wiring.
- 5. VARISTOR SURGE SUPPRESSION** – Built into each Plug to protect against electrical spikes or surges.
- 6. SUPER BRIGHT LED STATUS LIGHT** – Incorporated into translucent DIN body, protecting LED from damage. Easily visible from multiple angles.
- 7. SELF SEALING UNIT** – Polyurethane shell seals without the need for a gasket, providing protection up to IP67.
- 8. IP67/NEMA 6** – Once properly installed the connection is protected from dust, moisture and oil.
- 9. ALL POLYURETHANE MICRO OR MINI-HEAD DESIGN** – Ensures 100% bonding between jacket and head.
- 10. DIN CONNECTORS IN INDUSTRY STANDARD CONFIGURATIONS** – Available with TPC Trex-Onics® Mini or Micro Quick-Connects™

ORDERING INFORMATION (MINIMUM PURCHASE MAY BE REQUIRED IF PRODUCT NOT STOCKED)

| BLUNT CUT PART NO. | DESCRIPTION | CORD LENGTH | |
|--------------------|--|-------------|--------|
| | | FEET | METERS |
| D04134XXAM002 | 120V, LED, Suppression, Ground at Cable Outlet | 6.56 | 2 |
| D04134XXAM003 | 120V, LED, Suppression, Ground at Cable Outlet | 9.84 | 3 |
| D04134XXAM004 | 120V, LED, Suppression, Ground at Cable Outlet | 13.12 | 4 |
| D04134XXAM005 | 120V, LED, Suppression, Ground at Cable Outlet | 16.4 | 5 |
| D04134XXAM006 | 120V, LED, Suppression, Ground at Cable Outlet | 19.68 | 6 |
| D04234XXAM002 | 24V, LED, Suppression, Ground at Cable Outlet | 6.56 | 2 |
| D04234XXAM003 | 24V, LED, Suppression, Ground at Cable Outlet | 9.84 | 3 |
| D04234XXAM004 | 24V, LED, Suppression, Ground at Cable Outlet | 13.12 | 4 |
| D04234XXAM005 | 24V, LED, Suppression, Ground at Cable Outlet | 16.4 | 5 |
| D04234XXAM006 | 24V, LED, Suppression, Ground at Cable Outlet | 19.68 | 6 |