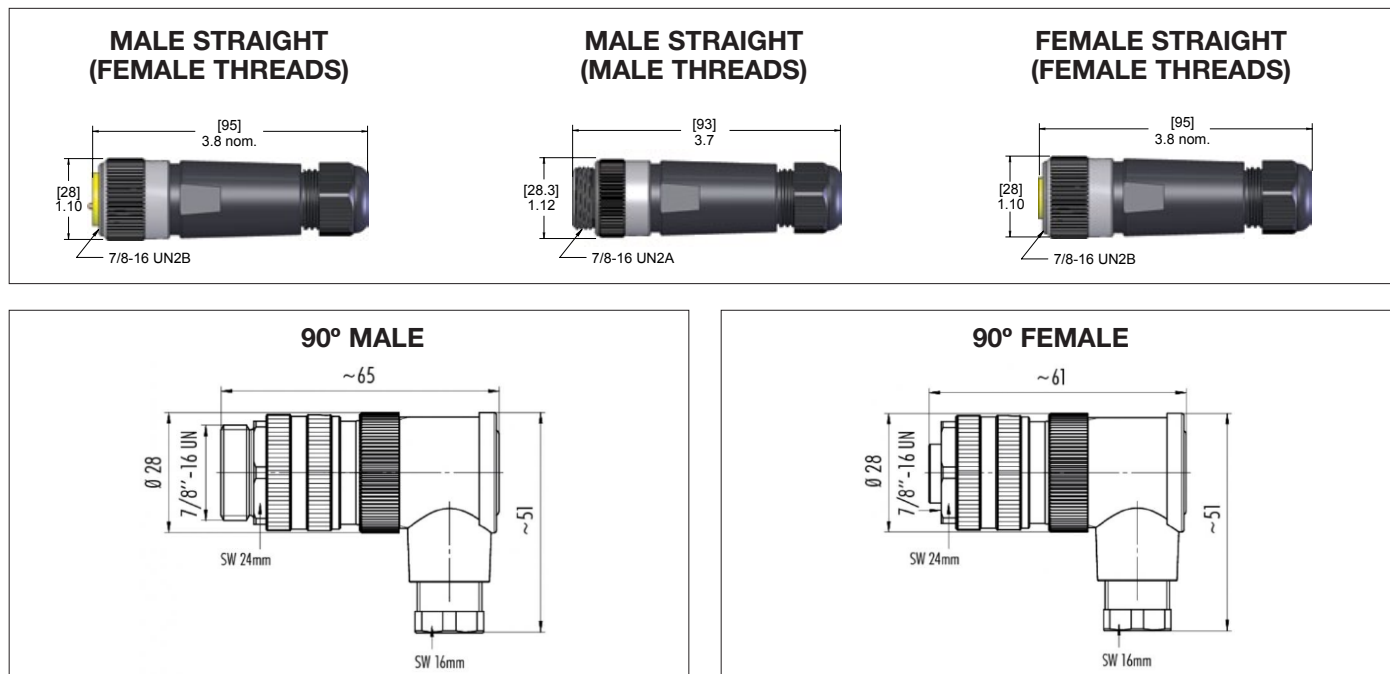


Field Installable Mini Quick-Connex™

•UL •cUL •IP67 Rated •RoHS Compliant •600 V and 300 V

Field Installable Mini Quick-Connex™ are impact and crush resistant. The IP67 rated shell and rubber bushing are sealed to provide protection against dust and water spray. Nickel plated brass coupling ring resists corrosion and gives quick, secure assembly. The gold plated brass pins and sockets resist corrosion and provide a long life.



FEATURES & BENEFITS

- 1. NYLON INSERT & SLEEVE** — Impact and crush resistant.
- 2. IP67 SHELL PROTECTION** — Product is sealed to provide protection against dust and water spray.
- 3. SCREW LOCKING SYSTEM** — Secure connection using only a screw driver.
- 4. NICKEL PLATED BRASS COUPLING NUT** — Resists corrosion and gives quick, secure assembly.
- 5. RUBBER SEALING BUSHING & PINCH RING** — IP67 Rated, providing internal protection from dust and fluid spray.
- 6. PRESSING SCREW** — Nylon pressing screw threads into body sleeve and compresses pinch ring and seal to provide IP67 rating, and grips cable to protect conductors from pulling out of connector.
- 7. GOLD PLATED BRASS PINS & SOCKETS** — Provide long life, resist corrosion, easy positive engagement, extra long ground pin ensures first-in, last-out contact for safety.

APPLICATIONS *(Verify cable O.D. before making your selection)*

TPC Field Installable Mini Quick-Connex™ are designed to be used with the following cables:

- Super-Trex® AC & DC SJ00 Micro Cord Sets — 18/3, 18/4 & 18/5
- Super-Trex® Ultra-Gard® Portable Cords — 18/3, 18/4, 16/3, 16/4 & 16/5
- Trex-Onics® AC & DC Micro Cord Sets — 18/3, 18/4 & 18/5
- Trex-Onics® Cords — 18/3, 18/4, 16/3 & 16/4
- Trex-Onics® DeviceNet™ Thin Cable & Thin Cable Assemblies

Field Installable Mini Quick-Connex™ (Continued)

ORDERING INFORMATION (MINIMUM PURCHASE MAY BE REQUIRED IF PRODUCT NOT STOCKED)

STRAIGHT MALE						
PART NO.	CONTACTS	THREADS	TEMPERATURE RANGE	VOLTAGE	MAX AMPS	CABLE O.D. RANGE
33800	3	Male	-40°C to 105°C	600V	18A	.196" - .511"
33700	4	Male	-40°C to 105°C	600V	15A	.196" - .511"
33600	5	Male	-40°C to 105°C	600V	12A	.196" - .511"
33801	3	Male	-40°C to 105°C	600V	18A	.315" - .669"
33701	4	Male	-40°C to 105°C	600V	15A	.315" - .669"
33601	5	Male	-40°C to 105°C	600V	12A	.315" - .669"
33808	6	Male	-40°C to 105°C	600V	8A	.315" - .669"
33802	3	Female	-40°C to 105°C	600V	18A	.315" - .669"
33702	4	Female	-40°C to 105°C	600V	15A	.315" - .669"
33602	5	Female	-40°C to 105°C	600V	12A	.315" - .669"
33807	6	Female	-40°C to 105°C	600V	8A	.315" - .669"

STRAIGHT FEMALE						
PART NO.	CONTACTS	THREADS	TEMPERATURE RANGE	VOLTAGE	MAX AMPS	CABLE O.D. RANGE
33300	3	Female	-40°C to 105°C	600V	18A	.196" - .511"
33400	4	Female	-40°C to 105°C	600V	15A	.196" - .511"
33500	5	Female	-40°C to 105°C	600V	12A	.196" - .511"
33301	3	Female	-40°C to 105°C	600V	18A	.315" - .669"
33401	4	Female	-40°C to 105°C	600V	15A	.315" - .669"
33501	5	Female	-40°C to 105°C	600V	12A	.315" - .669"
33806	6	Female	-40°C to 105°C	600V	8A	.315" - .669"

90° MALE						
PART NO.	CONTACTS	THREADS	TEMPERATURE RANGE	VOLTAGE	MAX AMPS	CABLE O.D. RANGE
33890	3	Male	-25°C to 85°C	300V	12A	.236" - .315"
33790	4	Male	-25°C to 85°C	300V	9A	.236" - .315"
33690	5	Male	-25°C to 85°C	300V	9A	.236" - .315"

90° FEMALE						
PART NO.	CONTACTS	THREADS	TEMPERATURE RANGE	VOLTAGE	MAX AMPS	CABLE O.D. RANGE
33390	3	Female	-25°C to 85°C	300V	12A	.236" - .315"
33490	4	Female	-25°C to 85°C	300V	9A	.236" - .315"
33590	5	Female	-25°C to 85°C	300V	9A	.236" - .315"