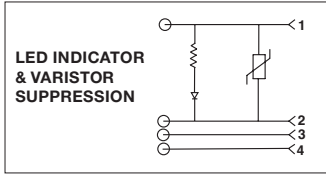
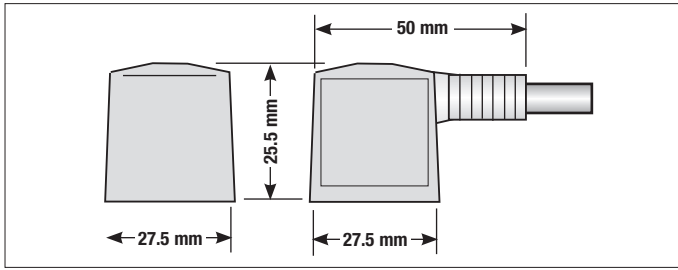
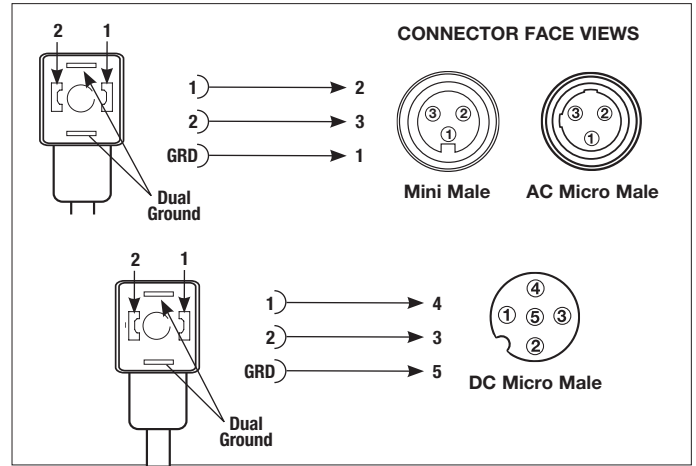


ISO DIN Form "A" – 18 mm

- RoHS Compliant
- IP67 Rated
- NEMA 6 Rated
- Operating Temperature Range -25°C to 80°C (-13°F to 176°F)
- Cable: Trex-Onics® 18/3



COLOR CODE	
DC 24 V	AC 115V
1 Black	1 Black
2 Black/White	2 Black/White
3 Green/Yellow	3 Green/Yellow



SPECIFICATIONS & KEY CHARACTERISTICS

- Connection Voltage: 6 – 24V AC/DC or 120V AC@ 50/60 Hz
- Nominal Current: 10 Amps
- Connection Test Voltage: 250V AC Max, 300 V DC Max
- Connector Material: Durable Polyurethane
- Center Screw: M3 x 28mm
- Suppressor Clamping Voltage: 24V AC/DC – 30V AC Continuous – 38V DC 120V AC – 130V AC Continuous – 170V DC
- White Translucent Body with LED Power Status Indicator
- No Sealing Gasket Required

FEATURES & BENEFITS

- 1. SECURITY YELLOW TREX-ONICS® 18 AWG 3 CONDUCTOR CABLE WITH HEAVY-DUTY POLYURETHANE JACKET** – A superior first line defense against tearing abrasion, impact, oil, ozone and most chemicals.
- 2. RUGGED POLYURETHANE SHELL DESIGN** – Resists damage from impact, abrasion, oil and most chemicals.
- 3. ZYTEL INSERT** – Durable fiberglass filled nylon insert.
- 4. MOLDED ASSEMBLY** – DIN Plug is secured to the cord to seal the unit, preventing dust and moisture from damaging the internal wiring.
- 5. VARISTOR SURGE SUPPRESSION** – Built into each Plug to protect against electrical spikes or surges.
- 6. SUPER BRIGHT LED STATUS LIGHT** – Incorporated into translucent DIN body, protecting LED from damage. Easily visible from multiple angles.
- 7. SELF SEALING UNIT** – Polyurethane shell seals without the need for a gasket, providing protection up to IP67.
- 8. IP67/NEMA 6** – Once properly installed the connection is protected from dust, moisture and oil.
- 9. ALL POLYURETHANE MICRO OR MINI-HEAD DESIGN** – Ensures 100% bonding between jacket and head.
- 10. DIN CONNECTORS IN INDUSTRY STANDARD CONFIGURATIONS** – Available with TPC Trex-Onics® Mini or Micro Quick-Connects™

ORDERING INFORMATION (MINIMUM PURCHASE MAY BE REQUIRED IF PRODUCT NOT STOCKED)

BLUNT CUT PART NO.	AC MICRO PART NO.	DC MICRO PART NO.	MINI PART NO.	DESCRIPTION	CORD LENGTH	
					FEET	METERS
D01134XXAM002	D01134GCAM002	—	D01134LCAM002	120V DIN Conn w/LED & Suppression	6.56	2
D01134XXAM003	D01134GCAM003	—	D01134LCAM003	120V DIN Conn w/LED & Suppression	9.84	3
D01134XXAM004	D01134GCAM004	—	D01134LCAM004	120V DIN Conn w/LED & Suppression	13.12	4
D01134XXAM005	D01134GCAM005	—	D01134LCAM005	120V DIN Conn w/LED & Suppression	16.4	5
D01134XXAM006	D01134GCAM006	—	D01134LCAM006	120V DIN Conn w/LED & Suppression	19.68	6
D01234XXAM002	D01234GCAM002	D01234FCAM002	D01234LCAM002	24V DIN Conn w/LED & Suppression	6.56	2
D01234XXAM003	D01234GCAM003	D01234FCAM003	D01234LCAM003	24V DIN Conn w/LED & Suppression	9.84	3
D01234XXAM004	D01234GCAM004	D01234FCAM004	D01234LCAM004	24V DIN Conn w/LED & Suppression	13.12	4
D01234XXAM005	D01234GCAM005	D01234FCAM005	D01234LCAM005	24V DIN Conn w/LED & Suppression	16.4	5
D01234XXAM006	D01234GCAM006	D01234FCAM006	D01234LCAM006	24V DIN Conn w/LED & Suppression	19.68	6

Mini Quick-Connects™
Micro Quick-Connects™
Nano Quick-Connects™
Specialty Quick-Connects™
Ethernet Cable Assemblies
7 Pin Molded Valve Plug
DIN Connectors
Extension Cords
M23 Connector Assemblies
Military Connectors
Rectangular Connectors