

## Custom Reel Enclosures & Cable Reels

### \*STANDARD FEATURES

- All 2" Square Tube 1/8" Wall Frame Material
- All 6" x 2" C-Channel 3/16" Wall Base Frame
- 3/16" Sheet Base Floor
- Rolled Edges Where Applicable
- All Reel Enclosures will be Gray Oxide Primer, Painted Industrial Light Gray
- 1/4" Pin Continuous Piano Hinges
- 1/8" Sheet Cover Material Welded to Frame
- Cable Storage Reels Will be Bolted to Enclosure
- All Tolerances +/- 0.25"
- 5/8" Mounting Holes Located in Enclosure Frame 8" from the Corners in Both Directions

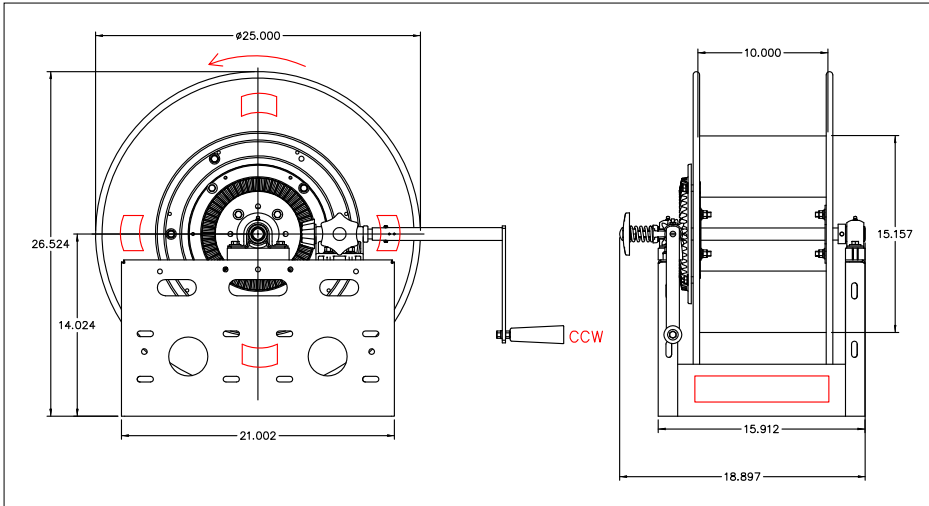


**REEL ENCLOSURE  
REELENC-L2 SHOWN  
BELOW**

### ORDERING INFORMATION

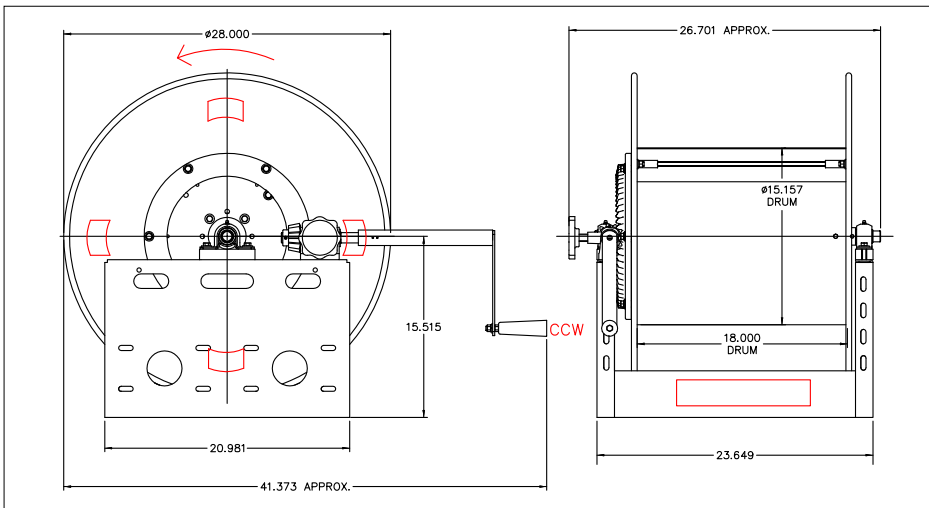
REEL ENCLOSURES WITH CABLE REEL OPTIONS								
PART NO.	NO. OF REELS	WIDTH (IN)	DEPTH (IN)	HEIGHT (IN)	INNER WIDTH (IN)	INNER HEIGHT (IN)	WT. INCL. REELS (LBS)	CABLE REEL
REELENC-S1	1	26	34	40	22	32	470	E8
REELENC-S2	2	42	34	40	38	32	655	E8
REELENC-S3	3	62	34	40	58	32	870	E8
REELENC-S4	4	82	34	40	78	32	1100	E8
REELENC-L1	1	32	34	40	28	32	550	E9
REELENC-L2	2	62	34	40	58	32	870	E9
REELENC-L3	3	92	34	40	88	32	1195	E9

**NEED A CUSTOM REEL ENCLOSURE SOLUTION? CALL OUR ENGINEERS FOR A FREE CONSULTATION.**



**E8 CABLE REEL**  
\*STANDARD FEATURES:

- Bevel Crank Drive
- Left Hand Crank Location
- 15" Drum Diameter with Drum Ramp
- 10" Drum Width
- 25" Flange Diameter
- Top Wind
- Grey Powder Coat Finish



**E9 CABLE REEL**  
\*STANDARD FEATURES

- Bevel Crank Drive
- Left Hand Crank Location
- 15" Drum Diameter with Drum Ramp
- 18" Drum Width
- 28" Flange Diameter
- Top Wind
- Grey Powder Coat Finish

**ORDERING INFORMATION**

**CABLE REEL OPTIONS FOR REEL ENCLOSURES**

"S" REEL	MAX LENGTH (FT)	LBS PER FT
4/0 (86326E)	175	1.002
250 (86319E)	125	1.157
500 (86323E)	75	2.131
"L" REEL	MAX LENGTH (FT)	LBS PER FT
4/0 (86326E)	425	1.002
250 (86319E)	350	1.157
500 (86323E)	200	2.131



**LOOKING FOR A CUSTOM REEL ENCLOSURE SOLUTION?**  
**CALL OUR ENGINEERS FOR A FREE CONSULTATION.**

\*Standard features are more common features of TPC's reel enclosures and cable reels. Our engineers will work with you to custom design a solution for your specific needs.