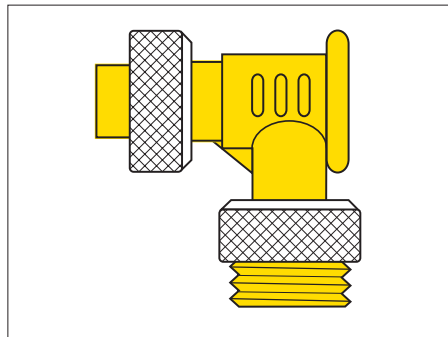


Quick-Connects™ Wiring System Accessories

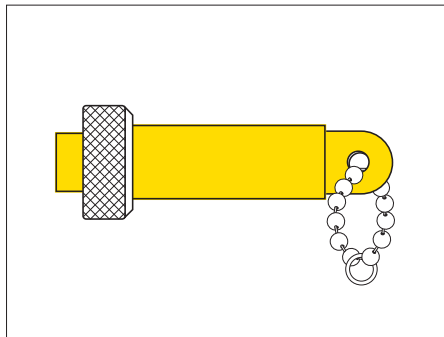
- RoHS Compliant

Quick Connects™ Wiring System Accessories include 16 AWG 90° adaptor, male shorting plug and three way receptacles (3/3/4 and 4/4/5). All made of heavy-duty construction to withstand the harshest of environments. Shorting plugs are also available as a custom engineered to order accessory.



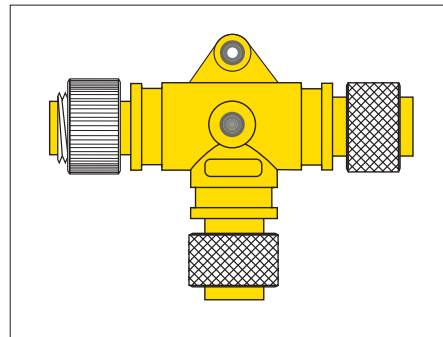
16 AWG 90° Adapter

Allows easy conversion from straight receptacle to a 90° connection. Oil resistant. All-molded construction. Available in 2, 3, 4 and 5 pole configurations.



Male Shorting Plug

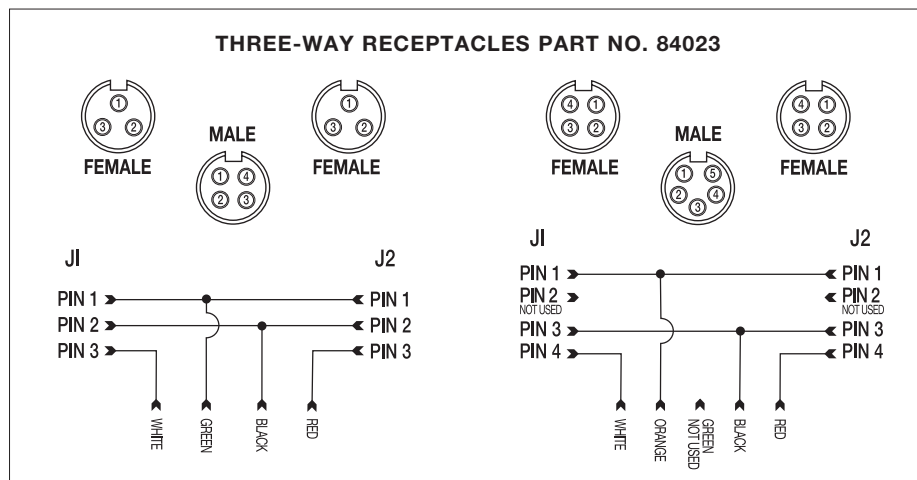
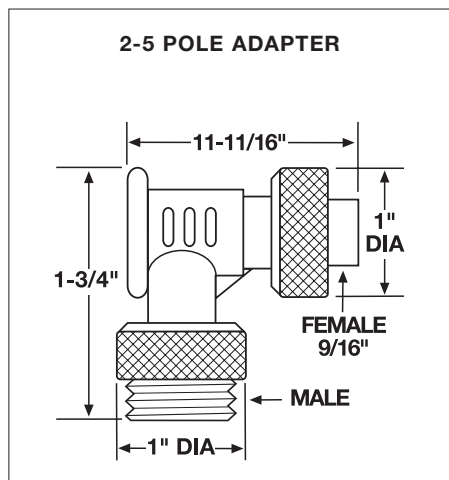
Internally wired shorting plug allows for die identification on stamping presses or circuit interlock. Oil and shock resistant. Male, all-molded, pre-wired construction. Available in 16, 14 and 12 AWG with various pin configurations. Chain included.



3/3/4 & 4/4/5 Three-way Receptacles

Allows for easy wiring consolidation. Oil and shock resistant. All molded construction. Connects with standard 16 AWG cord sets. Additional configurations available.

DIMENSIONAL & WIRING INFORMATION



ORDERING INFORMATION (MINIMUM PURCHASE MAY BE REQUIRED IF PRODUCT NOT STOCKED)

PART NO.	DESCRIPTION	AMPACITY ¹	AVAILABILITY
84011	2 Pole 90° Adapter	13	In stock
84013	3 Pole 90° Adapter	13	In stock
84014	4 Pole 90° Adapter	8	In stock
84015	5 Pole 90° Adapter	8	In stock
84023	3/3/4 Three-way Receptacle	10	In stock
84024	4/4/5 Three-way Receptacle	8	In stock
-	Shorting Plug	Engineered to order, call for availability	