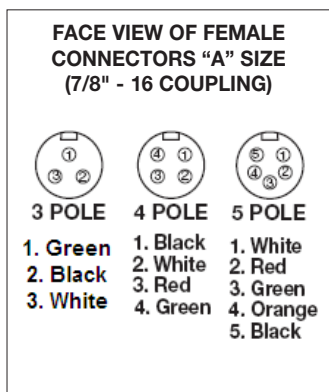
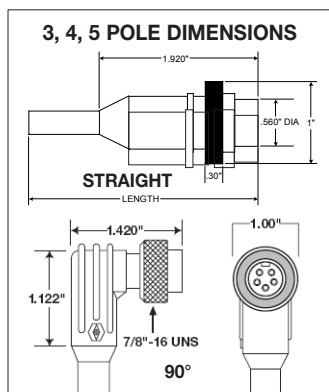
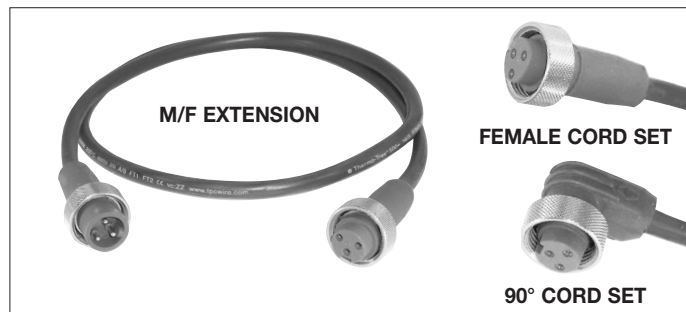


Thermo-Trex® 500-Plus 16 AWG Cord Sets

- IP68 Rated
- RoHS Compliant
- 600 V
- Operating Temperature up to 180°C

Thermo-Trex® 500-Plus 16 AWG Cord Sets are designed with a tear resistant silicone jacket and fully bonded silicone head providing IP68 seal against moisture. It is an ideal choice for applications exposed to high temperatures up to 180°C, UV light and mechanical abuse.



ORDERING INFORMATION

(MINIMUM PURCHASE MAY BE REQUIRED IF PRODUCT NOT STOCKED)

| 16 AWG FEMALE PLUGS | |
|---------------------|-----------------------------|
| PART NO. | DESCRIPTION |
| CH13C83F003S | Female Plug, 3 Pole, 3 ft. |
| CH13C83F006S | Female Plug, 3 Pole, 6 ft. |
| CH13C83F012S | Female Plug, 3 Pole, 12 ft. |
| CH13C83F020S | Female Plug, 3 Pole, 20 ft. |
| CH14C84F003S | Female Plug, 4 Pole, 3 ft. |
| CH14C84F006S | Female Plug, 4 Pole, 6 ft. |
| CH14C84F012S | Female Plug, 4 Pole, 12 ft. |
| CH14C84F020S | Female Plug, 4 Pole, 20 ft. |
| CH15C85F003S | Female Plug, 5 Pole, 3 ft. |
| CH15C85F006S | Female Plug, 5 Pole, 6 ft. |
| CH15C85F012S | Female Plug, 5 Pole, 12 ft. |
| CH15C85F020S | Female Plug, 5 Pole, 20 ft. |

| 16 AWG MALE / FEMALE EXTENSION SETS | |
|-------------------------------------|------------------------------|
| PART NO. | DESCRIPTION |
| CH23E83F003S | M/F Ext. Set, 3 Pole, 3 ft. |
| CH23E83F006S | M/F Ext. Set, 3 Pole, 6 ft. |
| CH23E83F012S | M/F Ext. Set, 3 Pole, 12 ft. |
| CH23E83F020S | M/F Ext. Set, 3 Pole, 20 ft. |
| CH24E84F003S | M/F Ext. Set, 4 Pole, 3 ft. |
| CH24E84F006S | M/F Ext. Set, 4 Pole, 6 ft. |
| CH24E84F012S | M/F Ext. Set, 4 Pole, 12 ft. |
| CH24E84F020S | M/F Ext. Set, 4 Pole, 20 ft. |
| CH25E85F003S | M/F Ext. Set, 5 Pole, 3 ft. |
| CH25E85F006S | M/F Ext. Set, 5 Pole, 6 ft. |
| CH25E85F012S | M/F Ext. Set, 5 Pole, 12 ft. |
| CH25E85F020S | M/F Ext. Set, 5 Pole, 20 ft. |

| 16 AWG MALE PLUGS | |
|-------------------|--------------------------|
| PART NO. | DESCRIPTION |
| CH13A83F003S | Male Plug, 3 Pole, 3ft. |
| CH13A83F006S | Male Plug, 3 Pole, 6 ft. |
| CH14A84F006S | Male Plug, 4 Pole, 6 ft. |
| CH15A85F006S | Male Plug, 5 Pole, 6 ft. |

FEATURES & BENEFITS

- FULLY BONDED DESIGN** — The silicone cable is fully bonded to the silicone head using a unique process providing an IP68 seal against moisture.
- CORD SETS MADE WITH THERMO-TREX® 500-PLUS SILICONE CABLE** — Silicone cable and head set provides protection to temperatures up to 180°C.
- EXTRA LONG GROUNDING PIN** — Ensures first-in, last-out contact for safety.
- STAINLESS STEEL KNURLED COUPLING RINGS AND RETAINING WASHER** — Resists corrosion, provides quick and secure assembly.
- SOLID BRASS CONTACT PINS ARE NICKEL COATED AND GOLD PLATED** — Provides long life, resists corrosion, easy positive engagement. Excellent for low voltage/low level signal applications.

| RECEPTACLES | |
|-------------|---------------------|
| PART NO. | DESCRIPTION |
| 84850 | 3 Pole Female, 4ft. |
| 84750 | 4 Pole Female, 4ft. |
| 84650 | 5 Pole Female, 4ft. |
| 84350 | 3 Pole Male, 4ft. |
| 84450 | 4 Pole Male, 4ft. |
| 84550 | 5 Pole Male, 4ft. |

Mini Quick-Connects™
 Micro Quick-Connects™
 Nano Quick-Connects™
 Specialty Quick-Connects™
 Ethernet Cable Assemblies
 7 Pin Molded Valve Plug
 DIN Connectors
 Extension Cords
 M23 Connector Assemblies
 Military Connectors
 Rectangular Connectors