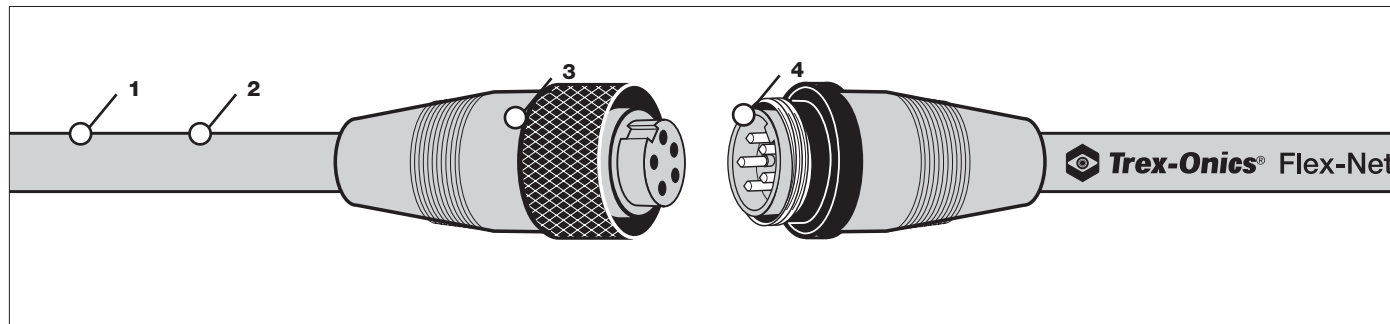


## Trex-Onics® DeviceNet™ Flex-Net Cable Mini Assemblies

- RoHS Compliant
- ODVA Conformity

Flex-Net Cable Mini Assemblies take all the advantages of our Flex-Net Cable (a heavy-duty jacket and Ultra-Shield construction) and add a molded mini head which is permanently bonded to the cable providing a superior water and chemical resistant seal. Our micros have contact pins that are gold plating over nickel to ensure electronic and electrical integrity over repeated insertions and extractions.



### FEATURES & BENEFITS

- 1. HEAVY-DUTY GRAY TREX-ONICS® JACKET** — Excellent defense against cutting, abrasion, oil and chemicals.
- 2. ULTRA-SHIELD CONSTRUCTION, A HEAVY-DUTY COMBINATION OF COPPER BRAID AND AN ALUMINUM/MYLAR SHIELD** — 100% shielding provides protection from EM and RF interference. Finely stranded braid provides superior mechanical strength.
- 3. POLYURETHANE MOLDED PLUG BODY** — Permanently bonded to cable providing a superior water and chemical resistant seal.
- 4. EXTRA LONG GROUNDING PIN** — Ensures first-in, last-out contact for safety.
- 5. UNIQUE STAINLESS STEEL REINFORCED FEMALE PIN DESIGN** — Prevents pin deformation resulting in loss of signal and electrical continuity. Superior performance in high vibration and continuous motion environments. Probe proof.
- 6. CONTACT PINS AND SLEEVES** — Gold plating over nickel insures electronic and electrical integrity over repeated insertions and extractions.
- 7. FLEX-NET THIN CABLE** — For flexing and torsional applications. Meets ODVA™ electrical performance requirements.
- 8. COMMON AXIS DESIGN**

### ROLE OF PRODUCT

This product is intended for use in the DeviceNet™ Bus System in applications requiring “Mini” style Male, Female or Male/Female connectors. Applications for this product are industrial in nature and will be connected to devices such as proximity, photo electric and limit switches. This cable may be exposed to oils, coolants, water, chemicals and grease. Temperature exposures for the assemblies are not to exceed 80°C (176°F) and not below -25°C (-13°F).

### PHYSICAL TESTING SPECIFICATIONS

- Thin cable torsional performance exceeded 1,000,000 cycles with a bend radius of 10x.

### ELECTRONIC SPECIFICATIONS

- The electrical requirement of the DeviceNet Cable shall be in accordance with those identified by the ODVA (Open DeviceNet Association) for the Thin Cable.
- Capacitance between Conductors – 12 pF/ft. at 1 MHz (nominal).
- Impedance – 120 Ohms +/- 12 Ohms.
- Capacitance between one conductor and other conductor connected to shield – 24 pF/ft. at 1 MHz (nominal).
- Propagation Delay – 1.36 nSec/ft. (maximum).

# Trex-Onics® DeviceNet™ Flex-Net Cable Mini Assemblies (Continued)

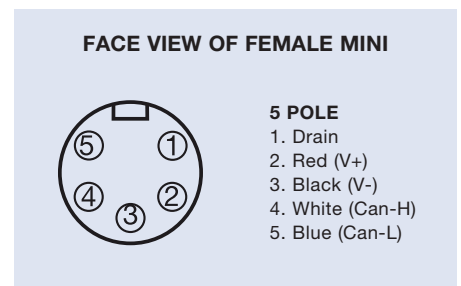
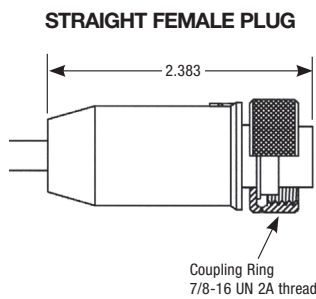
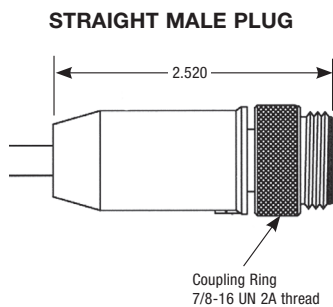
## ORDERING INFORMATION (MINIMUM PURCHASE MAY BE REQUIRED IF PRODUCT NOT STOCKED)

MINI DEVICENET™ CONNECTOR CORD SETS – THICK				
STANDARD PRODUCT (#60001)	HIGH PERFORMANCE PRODUCT (Thick Cable #60008)	M	FT	DESCRIPTION
60933	CP25E44M001	1.0	3.3	Male/Female
60936	CP25E44M002	2.0	6.6	Male/Female
60939	CP25E44M003	3.0	9.8	Male/Female
60932	CP25E44M004	4.0	13.1	Male/Female
60930	CP25E44M006	6.0	19.7	Male/Female
60934	CP25E44M012	12.0	39.3	Male/Female
60937	CP25E44M018	18.0	59.0	Male/Female
60938	CP25E44M024	24.0	78.7	Male/Female
60931	CP25E44M030	30.0	98.4	Male/Female
60503	CP15A44M001	1.0	3.3	Male
60506	CP15A44M002	2.0	6.6	Male
60509	CP15A44M003	3.0	9.8	Male
60512	CP15A44M004	4.0	13.1	Male
60520	CP15A44M006	6.0	19.7	Male
60540	CP15A44M012	12.0	39.3	Male
60550	CP15A44M015	15.0	49.2	Male
60560	CP15A44M018	18.0	59.0	Male
60580	CP15A44M024	24.0	78.7	Male
60510	CP15A44M030	30.0	98.4	Male
60303	CP15C44M001	1.0	3.3	Female
60306	CP15C44M002	2.0	6.6	Female
60309	CP15C44M003	3.0	9.8	Female
60312	CP15C44M004	4.0	13.1	Female
60320	CP15C44M006	6.0	19.7	Female
60340	CP15C44M012	12.0	39.3	Female
60350	CP15C44M018	18.0	59.0	Female
60360	CP15C44M024	24.0	78.7	Female
60310	CP15C44M030	30.0	98.4	Female

Trex-Onics® Flex-Net Cable Assemblies are designed and manufactured in accordance with your length requirements. Please contact our Engineered Products Department to review your specific needs.

MINI DEVICENET™ CONNECTOR CORD SETS – THIN			
HIGH PERFORMANCE PRODUCT (Thin Cable #60007)	M	FT	DESCRIPTION
CP25E43M001	1.0	3.3	Male/Female
CP25E43M002	2.0	6.6	Male/Female
CP25E43M003	3.0	9.8	Male/Female
CP25E43M004	4.0	13.1	Male/Female
CP25E43M006	6.0	19.7	Male/Female
CP25E43M012	12.0	39.4	Male/Female
CP25E43M015	15.0	50.0	Male/Female
CP25E43M018	18.0	59.0	Male/Female
CP25E43M024	24.0	78.7	Male/Female
CP25E43M030	30.0	98.4	Male/Female
CP15A43M001	1.0	3.3	Male
CP15A43M002	2.0	6.6	Male
CP15A43M003	3.0	9.8	Male
CP15A43M004	4.0	13.1	Male
CP15A43M006	6.0	19.7	Male
CP15A43M012	12.0	39.4	Male
CP15A43M015	15.0	49.2	Male
CP15A43M018	18.0	59.0	Male
CP15A43M024	24.0	78.7	Male
CP15A43M030	30.0	98.4	Male
CP15C43M001	1.0	3.3	Female
CP15C43M002	2.0	6.6	Female
CP15C43M003	3.0	9.8	Female
CP15C43M004	4.0	13.1	Female
CP15C43M006	6.0	19.7	Female
CP15C43M012	12.0	39.4	Female
CP15C43M015	15.0	49.2	Female
CP15C43M018	18.0	59.0	Female
CP15C43M024	24.0	78.7	Female
CP15C43M030	30.0	98.4	Female

## PRODUCT SPECIFICATIONS



Portable Cords  
 Power Cables (600 Volt to 35 KV)  
 Welding Cables  
 VFD/Servo Motor Cables  
 Reeling Cables  
 Control Cables/Instrumentation  
 Bus Cables  
 Flat/strapped Cables  
 Retractable Coil Cables  
 Chemical & Temp. Resistant Cables  
 High Temperature Cables  
 Igniter Cables  
 Thermocouple Extension Wires  
 Engineered Custom Cables