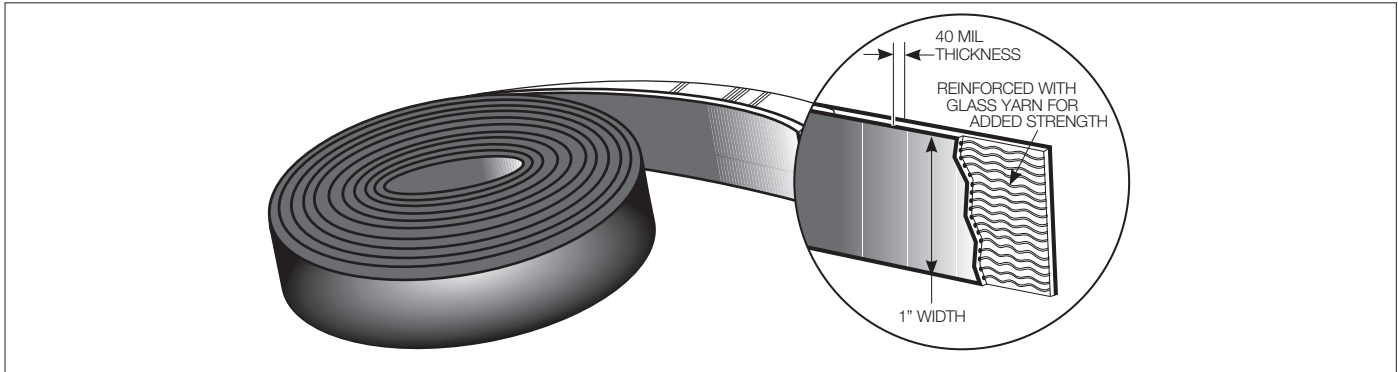


## Vulko-Wrap® Insulating Tape (Black Reinforced)

- Temperature Rating -60°F to 400°F
- RoHS Compliant
- Self-Vulcanizing Wrap
- High Dielectric Strength
- Reinforced with Glass Yarn Fiber
- MIL-I-22444C

Reinforced Vulko-Wrap® has been embedded with a glass yarn fiber braid for added strength while maintaining the flexibility found in the traditional Vulko-Wrap product. Reinforced Vulko-Wrap has a temperature rating of from -60°F to +400°F and has a dielectric strength of 500 volts per mil. One roll has 36 feet of tape that is 1 inch wide. It is available in 40 mil thickness in the color black only.



### FEATURES & BENEFITS

- 1. REINFORCED WITH GLASS YARN BRAID** — Reinforcing braid embedded in center of material provides enhanced mechanical strength while still allowing the product to cover irregular shapes.
- 2. HIGH DIELECTRIC STRENGTH** — Can be used for all electrical connections.
- 3. VULCANIZES IMMEDIATELY** — Requires no heat — becomes fully bonded in 24 hours at room temperature. Remains pliable over time.
- 4. NO ADHESIVES / ADHERES ONLY TO ITSELF** — Easy to remove — leaves no residue. Covered fittings are immediately reusable.
- 5. AVAILABLE IN 40 MIL THICKNESS** — Extra thick design allows wrapping over sharp and irregular surfaces without tearing or puncturing.

### APPLICATIONS

- Bus Bar Insulation
- Cable Insulation Splices
- Corrosive Areas
- Electroplating Dangers
- Food Related Equipment
- High Heat
- High Voltage
- HVAC Equipment
- Lift Truck Battery Cable Terminals
- Motor Leads
- Outdoor Terminations
- Temporary Repair of Low Pressure Air & Hydraulic Lines
- Terminal Splicing
- Transformer Tap Lead Insulation
- Washdown Areas

**SPECIFICATIONS** Meets U.S. Military Spec. MIL-I-22444C.

**DIELECTRIC STRENGTH** (Per ASTM D-149) 500 volts per mil of finished wrap thickness for 40 mil.

**ELONGATION** (Per ASTM D-412) 15% minimum.

**SHELF LIFE** Product should be stored at 70°F or less for maximum shelf life. Store in original packaging in clean dry environment when not in use.

**REINFORCEMENT** Reinforcing braid embedded in center of material provides enhanced mechanical strength while still allowing the product to cover irregular shapes.

### ORDERING INFORMATION (MINIMUM PURCHASE MAY BE REQUIRED IF PRODUCT NOT STOCKED)

PART NO.			NOMINAL THICKNESS	NOMINAL WIDTH	NOMINAL LENGTH	WRAP COLOR	GUIDELINE COLOR	DIELECTRIC STRENGTH/ PER MIL
1 ROLL	5 ROLL PACK	SAMPLE ROLL						
18412	18412D	—	40 Mils	1 in (2.54 cm)	36 ft (1100 cm)	Black	None	500 Volts